



PU9730/PW9620/PX9710

Projector RS232 Command Control

Installation Guide

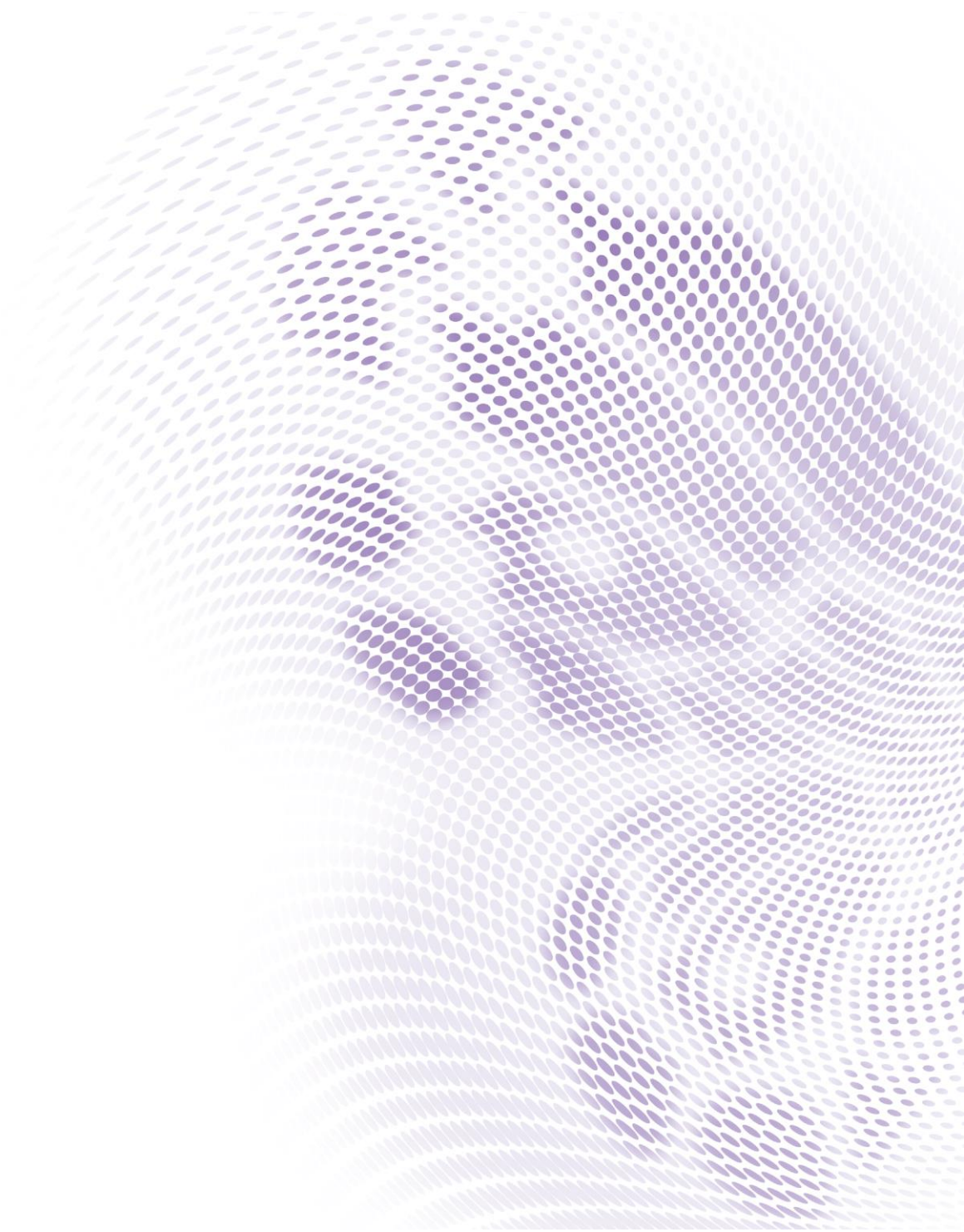


Table of Contents

Introduction	3
Wire arrangement.....	3
RS232 pin assignment.....	3
Connections and communication settings	4
RS232 serial port with a straight cable.....	4
Settings	4
RS232 via LAN.....	6
Settings	6
RS232 via HDBaseT.....	6
Settings	6
Command table.....	8

Introduction

The document describes how to control your BenQ projector via RS232 from a computer. Follow the procedures to complete the connection and settings first, and refer to the command table for RS232 commands.



Available functions and commands vary by model. Check the specifications and user manual of the purchased projector for product functions.

Wire arrangement

Wire Arrangement		
P1	Color	P2
1	Black	1
2	Brown	3
3	Red	2
4	Orange	4
5	Yellow	5
6	Green	6
7	Blue	7
8	Purple	8
9	Gray	9
Case	Drain wire	Case

RS232 pin assignment

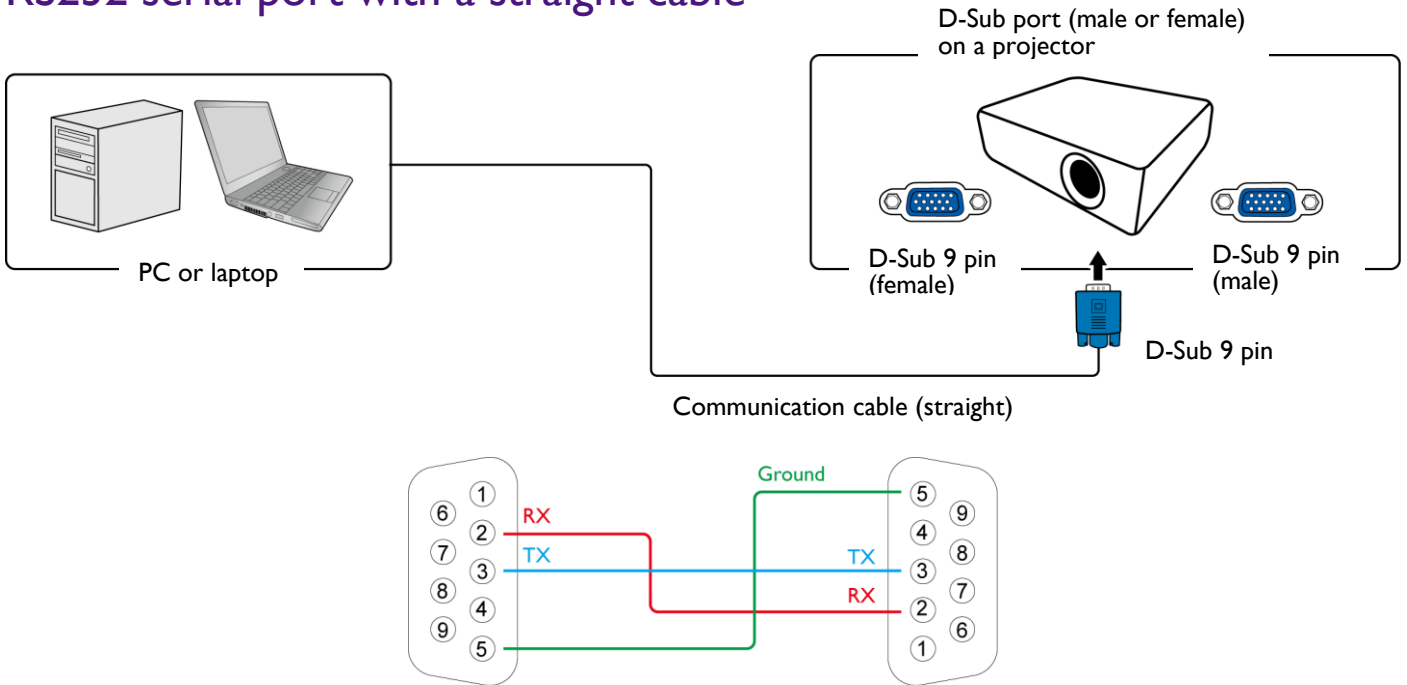


Pin	Description	Pin	Description
1	NC	2	RXD
3	TXD	4	NC
5	GND	6	NC
7	RTS	8	CTS
9	NC		

Connections and communication settings

Choose one of the connections and set up properly before RS232 control.

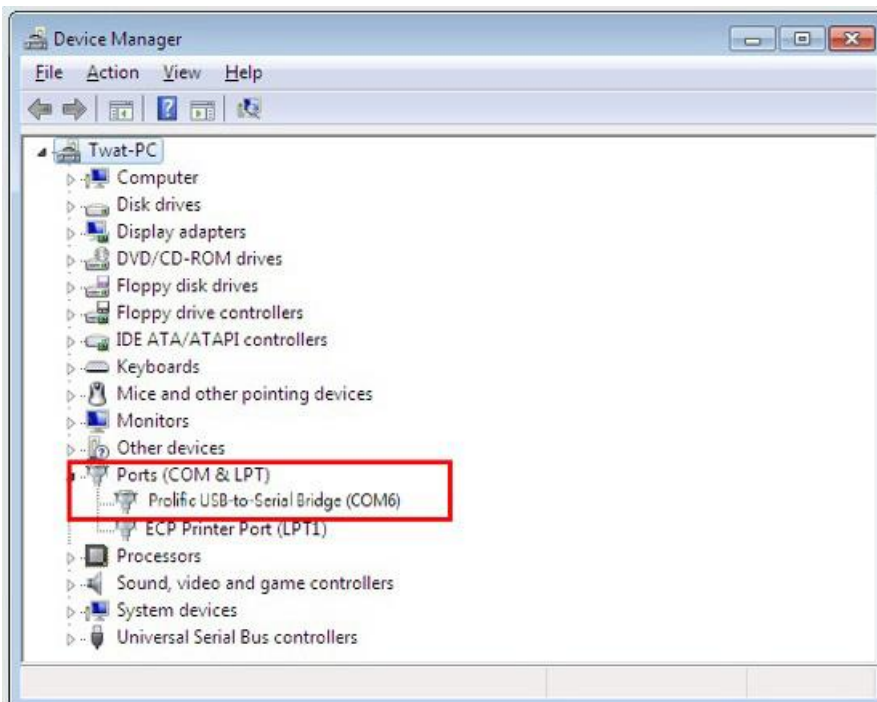
RS232 serial port with a straight cable



Settings

On-screen images in this document are for reference only. The screens may vary depending on your Operating System, I/O ports used for connection, and the specifications of the connected projector.

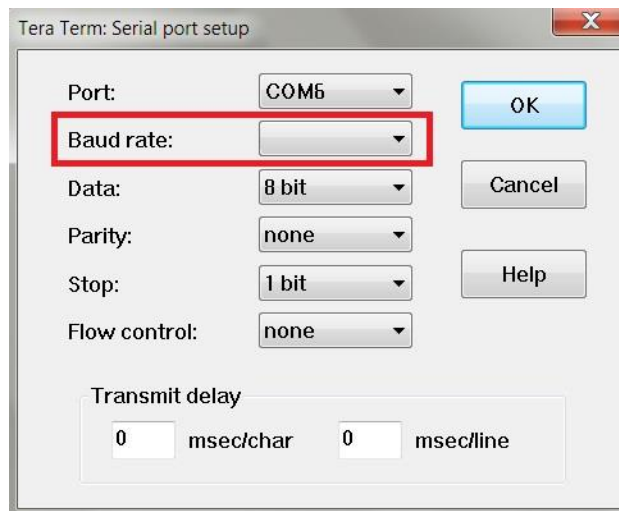
- Determine the COM Port name used for the RS232 communications in **Device Manager**.




- Choose **Serial** and the corresponding COM port as the communication port. In this given example, COM6 is selected.

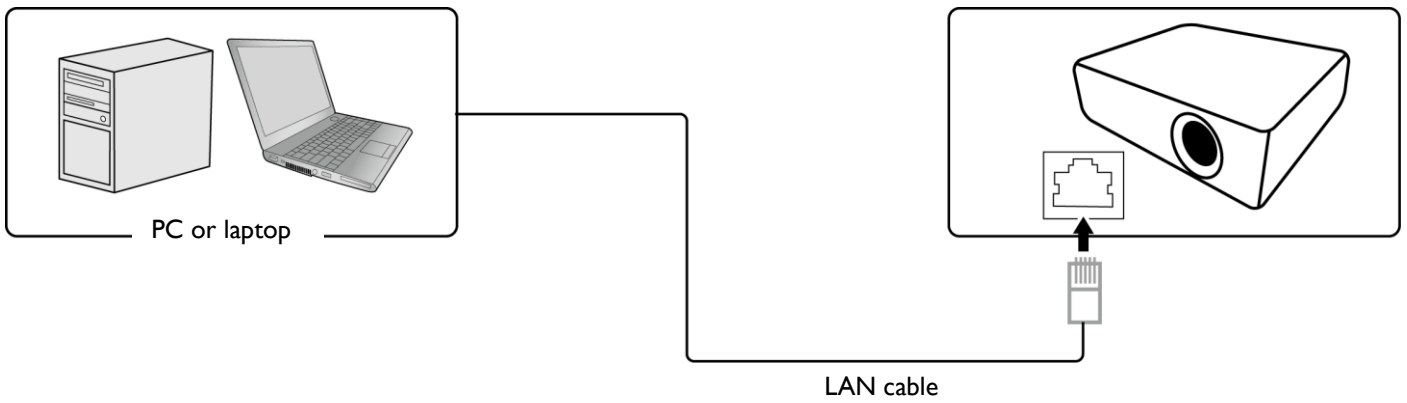


- Finish **Serial port setup**.



Baud rate	9600 / 14400 / 19200 / 38400 / 57600 / 115200 bps  Check the baud rate of the connected projector from its OSD menu.
Data length	8 bit
Parity check	None
Stop bit	1 bit
Flow control	None

RS232 via LAN

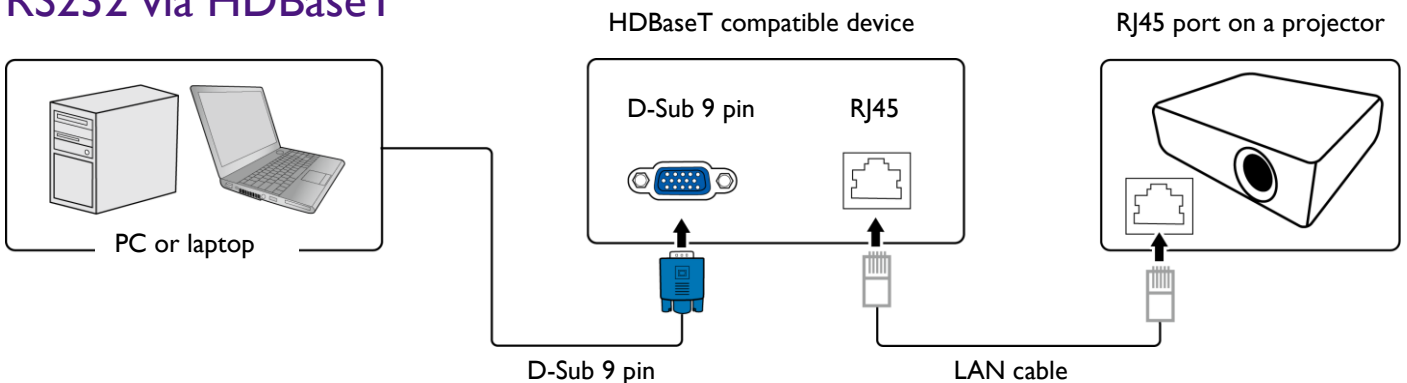


Settings

1. Find the Wired LAN IP address of the connected projector from the OSD menu and make sure the projector and the computer are within the same network.
2. Input **8000** in the **TCP port #** field.



RS232 via HDBaseT




Settings

1. Determine the COM Port name used for the RS232 communications in **Device Manager**.
2. Choose **Serial** and the corresponding COM port as the communication port. In this given example, COM6 is selected.



3. Finish **Serial** port setup.



Baud rate	9600 / 14400 / 19200 / 38400 / 57600 / 115200 bps  Check the baud rate of the connected projector from its OSD menu.
Data length	8 bit
Parity check	None
Stop bit	1 bit
Flow control	None

Command table



- Available features differ by projector specification, input sources, settings, etc..
- Commands are working if the standby power is 0.5W or a supported baud rate of the projector is set.
- Uppercase, lowercase, and a mixture of both types of characters are accepted for a command.
- If a command format is illegal, it will echo **Illegal format**.
- If a command with correct format is not valid for the projector model, it will echo **Unsupported item**.
- If a command with correct format cannot be executed under certain condition, it will echo **Block item**.
- If RS232 control is performed via LAN, a command works whether it starts and ends with **<CR>**. All the commands and behaviors are identical with the control through a serial port.

Function	Type	Operation	ASCII	Support
Lens Load	Write	Lens load memory 1	<CR>*lensload=m1#<CR>	YES
	Write	Lens load memory 2	<CR>*lensload=m2#<CR>	YES
	Write	Lens load memory 3	<CR>*lensload=m3#<CR>	YES
	Write	Lens load memory 4	<CR>*lensload=m4#<CR>	YES
	Write	Lens load memory 5	<CR>*lensload=m5#<CR>	YES
	Write	Lens load memory 6	<CR>*lensload=m6#<CR>	YES
	Write	Lens load memory 7	<CR>*lensload=m7#<CR>	YES
	Write	Lens load memory 8	<CR>*lensload=m8#<CR>	YES
	Write	Lens load memory 9	<CR>*lensload=m9#<CR>	YES
	Write	Lens load memory 10	<CR>*lensload=m10#<CR>	YES
	Write	save Lens memory 1	<CR>*lenssave=m1#<CR>	YES
	Write	save Lens memory 2	<CR>*lenssave=m2#<CR>	YES
	Write	save Lens memory 3	<CR>*lenssave=m3#<CR>	YES
	Write	save Lens memory 4	<CR>*lenssave=m4#<CR>	YES
	Write	save Lens memory 5	<CR>*lenssave=m5#<CR>	YES
	Write	save Lens memory 6	<CR>*lenssave=m6#<CR>	YES
	Write	save Lens memory 7	<CR>*lenssave=m7#<CR>	YES
	Write	save Lens memory 8	<CR>*lenssave=m8#<CR>	YES
	Write	save Lens memory 9	<CR>*lenssave=m9#<CR>	YES
	Write	save Lens memory 10	<CR>*lenssave=m10#<CR>	YES
Power	Write	Reset Lens to center	<CR>*lensreset=center#<CR>	YES
	Write	Power On	<CR>*pow=on#<CR>	YES
	Write	Power off	<CR>*pow=off#<CR>	YES
Source Selection	Read	Power Status	<CR>*pow=?#<CR>	YES
	Write	COMPUTER/YPbPr	<CR>*sour=RGB#<CR>	YES
	Write	COMPUTER 2/YPbPr2	<CR>*sour=RGB2#<CR>	YES
	Write	Component	<CR>*sour=YPbr#<CR>	YES

	Write	Component2	<CR>*sour=yubr2#<CR>	NO
	Write	DVI-A	<CR>*sour=dviA#<CR>	NO
	Write	DVI-D	<CR>*sour=dvid#<CR>	YES
	Write	HDMI	<CR>*sour=hdmi#<CR>	YES
	Write	HDMI 2	<CR>*sour=hdmi2#<CR>	NO
	Write	Composite	<CR>*sour=vid#<CR>	YES
	Write	S-Video	<CR>*sour=svid#<CR>	YES
	Write	Network	<CR>*sour=network#<CR>	NO
	Write	USB Display	<CR>*sour=usbdisplay#<CR>	NO
	Write	USB Reader	<CR>*sour=usbreader#<CR>	NO
	Write	Wireless	<CR>*sour=wireless#<CR>	NO
	Write	DisplayPort	<CR>*sour=dp#<CR>	NO
	Write	HD Connect	<CR>*sour=hdconnect#<CR>	NO
	Write	HDBaseT	<CR>*sour=hdbaset#<CR>	YES
	Read	Current source	<CR>*sour=?#<CR>	YES
Audio Control	Write	Mute On	<CR>*mute=on#<CR>	NO
	Write	Mute Off	<CR>*mute=off#<CR>	NO
	Read	Mute Status	<CR>*mute=?#<CR>	NO
	Write	Volume +	<CR>*vol=+#<CR>	NO
	Write	Volume -	<CR>*vol=-#<CR>	NO
	Read	Volume Status	<CR>*vol=?#<CR>	NO
	Write	Mic. Volume +	<CR>*micvol=+#<CR>	NO
	Write	Mic. Volume -	<CR>*micvol=-#<CR>	NO
	Read	Mic. Volume Status	<CR>*micvol=?#<CR>	NO
Audio source select	Write	Audio pass Through off	<CR>*audiosour=off#<CR>	NO
	Write	Audio-Computer1	<CR>*audiosour=RGB#<CR>	NO
	Write	Audio-Computer2	<CR>*audiosour=RGB2#<CR>	NO
	Write	Audio-Video/S-Video	<CR>*audiosour=vid#<CR>	NO
	Write	Audio-Component	<CR>*audiosour=yubr#<CR>	NO
	Write	Audio-HDMI	<CR>*audiosour=hdmi#<CR>	NO
	Write	Audio-HDMI2	<CR>*audiosour=hdmi2#<CR>	NO
	Read	Audio pass Status	<CR>*audiosour=?#<CR>	NO
Picture Mode	Write	Dynamic	<CR>*appmod=dynamic#<CR>	NO
	Write	Presentation	<CR>*appmod=preset#<CR>	YES
	Write	sRGB	<CR>*appmod=srgb#<CR>	NO
	Write	Bright	<CR>*appmod=bright#<CR>	YES
	Write	Living Room	<CR>*appmod=livingroom#<CR>	NO
	Write	Game	<CR>*appmod=game#<CR>	NO

	Write	Cinema	<CR>*appmod=cine#<CR>	YES
	Write	Standard	<CR>*appmod=std#<CR>	NO
	Write	User1	<CR>*appmod=user1#<CR>	NO
	Write	User2	<CR>*appmod=user2#<CR>	NO
	Write	User3	<CR>*appmod=user3#<CR>	NO
	Write	ISF Day	<CR>*appmod=isfday#<CR>	NO
	Write	ISF Night	<CR>*appmod=isfnight#<CR>	NO
	Write	3D	<CR>*appmod=threed#<CR>	NO
	Read	Picture Mode	<CR>*appmod=?#<CR>	YES
Picture Setting	Write	Contrast +	<CR>*con=+#<CR>	YES
	Write	Contrast -	<CR>*con=-#<CR>	YES
	Read	Contrast value	<CR>*con=?#<CR>	YES
	Write	Brightness +	<CR>*bri=+#<CR>	YES
	Write	Brightness -	<CR>*bri=-#<CR>	YES
	Read	Brightness value	<CR>*bri=?#<CR>	YES
	Write	Color +	<CR>*color=+#<CR>	YES
	Write	Color -	<CR>*color=-#<CR>	YES
	Read	Color value	<CR>*color=?#<CR>	YES
	Write	Sharpness +	<CR>*sharp=+#<CR>	YES
	Write	Sharpness -	<CR>*sharp=-#<CR>	YES
	Read	Sharpness value	<CR>*sharp=?#<CR>	YES
	Write	Color Temperature-Warmer	<CR>*ct=warmmer#<CR>	NO
	Write	Color Temperature-Warm	<CR>*ct=warm#<CR>	YES
	Write	Color Temperature-Normal	<CR>*ct=normal#<CR>	YES
	Write	Color Temperature-Cool	<CR>*ct=cool#<CR>	YES
	Write	Color Temperature-Cooler	<CR>*ct=cooler#<CR>	NO
	Write	Color Temperature-lamp native	<CR>*ct=native#<CR>	YES
	Read	Color Temperature Status	<CR>*ct=?#<CR>	YES
	Write	Aspect 4:3	<CR>*asp=4:3#<CR>	YES
	Write	Aspect 16:9	<CR>*asp=16:9#<CR>	YES
	Write	Aspect 16:10	<CR>*asp=16:10#<CR>	YES
	Write	Aspect Auto	<CR>*asp=AUTO#<CR>	YES
	Write	Aspect Real	<CR>*asp=REAL#<CR>	YES
	Write	Aspect Letterbox	<CR>*asp=LBOX#<CR>	NO
	Write	Aspect Wide	<CR>*asp=WIDE#<CR>	NO
	Write	Aspect Anamorphic	<CR>*asp=ANAM#<CR>	NO
	Write	Aspect 5:4	<CR>*asp=5:4#<CR>	YES
	Write	Aspect 1.88	<CR>*asp=1.88:1#<CR>	YES

	Write	Aspect 2.35	<CR>*asp=2.35:1#<CR>	YES
	Read	Aspect Status	<CR>*asp=?#<CR>	YES
	Write	Digital Zoom In	<CR>*zoomI#<CR>	YES
	Write	Digital Zoom out	<CR>*zoomO#<CR>	YES
	Write	Auto	<CR>*auto#<CR>	YES
	Write	Brilliant color on	<CR>*BC=on#<CR>	NO
	Write	Brilliant color off	<CR>*BC=off#<CR>	NO
	Read	Brilliant color status	<CR>*BC=?#<CR>	NO
Operation Settings	Write	Projector Position-Front Table	<CR>*pp=FT#<CR>	YES
	Write	Projector Position-Rear Table	<CR>*pp=RE#<CR>	YES
	Write	Projector Position-Rear Ceiling	<CR>*pp=RC#<CR>	YES
	Write	Projector Position-Front Ceiling	<CR>*pp=FC#<CR>	YES
	Write	Projector Position-up Front	<CR>*pp=UF#<CR>	NO
	Write	Projector Position-down Front	<CR>*pp=DF#<CR>	NO
	Read	Projector Position Status	<CR>*pp=?#<CR>	YES
	Write	Quick auto search on	<CR>*QAS=on#<CR>	YES
	Write	Quick auto search off	<CR>*QAS=off#<CR>	YES
	Read	Quick auto search status	<CR>*QAS=?#<CR>	YES
	Write	Direct Power On-on	<CR>*directpower=on#<CR>	YES
	Write	Direct Power On-off	<CR>*directpower=off#<CR>	YES
	Read	Direct Power On-Status	<CR>*directpower=?#<CR>	YES
	Write	Signal Power On-on	<CR>*autopower=on#<CR>	NO
	Write	Signal Power On-off	<CR>*autopower=off#<CR>	NO
	Read	Signal Power On-Status	<CR>*autopower=?#<CR>	NO
	Write	Standby Settings-Standard	<CR>*standbynet=standard#<CR>	YES
	Write	Standby Settings-Eco	<CR>*standbynet=eco#<CR>	YES
	Write	Standby Settings-Network	<CR>*standbynet=network#<CR>	YES
	Write	Standby Settings-Network on	<CR>*standbynet=on#<CR>	NO
	Write	Standby Settings-Network off	<CR>*standbynet=off#<CR>	NO
	Read	Standby Settings-Network Status	<CR>*standbynet=?#<CR>	YES
	Write	Standby Settings-Microphone on	<CR>*standbymic=on#<CR>	NO
	Write	Standby Settings-Microphone off	<CR>*standbymic=off#<CR>	NO
	Read	Standby Settings-Microphone Status	<CR>*standbymic=?#<CR>	NO
	Write	Standby Settings-Monitor Out on	<CR>*standbymnt=on#<CR>	NO
	Write	Standby Settings-Monitor Out off	<CR>*standbymnt=off#<CR>	NO
Read	Standby Settings-Monitor Out Status	<CR>*standbymnt=?#<CR>	NO	

	Write	2400	<CR>*baud=2400#<CR>	NO
	Write	4800	<CR>*baud=4800#<CR>	NO
	Write	9600	<CR>*baud=9600#<CR>	YES
	Write	14400	<CR>*baud=14400#<CR>	YES
	Write	19200	<CR>*baud=19200#<CR>	YES
	Write	38400	<CR>*baud=38400#<CR>	YES
	Write	57600	<CR>*baud=57600#<CR>	YES
	Write	115200	<CR>*baud=115200#<CR>	YES
	Read	Current Baud Rate	<CR>*baud=?#<CR>	YES
Lamp Control	Read	Lamp Hour	<CR>*ltim=?#<CR>	YES
	Read	Lamp2 Hour	<CR>*ltim2=?#<CR>	YES
	Write	Lamp hour reset	<CR>*ltim=reset#<CR>	YES
	Write	Lamp2 hour reset	<CR>*ltim2=reset#<CR>	YES
	Write	Normal mode	<CR>*lampm=lnor#<CR>	YES
	Write	Eco mode	<CR>*lampm=eco#<CR>	YES
	Write	Dual lamp	<CR>*lammd=dual#<CR>	YES
	Write	number 1 lamp	<CR>*lammd=num1#<CR>	YES
	Write	number 2 lamp	<CR>*lammd=num2#<CR>	YES
	Write	Single lamp (minimum)	<CR>*lammd=single#<CR>	YES
	Read	Current Lamp status	<CR>*lammd=?#<CR>	YES
	Write	Smart Eco mode	<CR>*lampm=seco#<CR>	NO
	Write	Smart Eco mode(LampCare)	<CR>*lampm=seco2#<CR>	NO
	Write	Smart Eco mode(lumenCare)	<CR>*lampm=seco3#<CR>	NO
	Write	Dual Brightest	<CR>* lampm =dualbr#<CR>	NO
	Write	Dual Reliable	<CR>* lampm =dualre#<CR>	NO
	Write	Single Alternative	<CR>* lampm =single#<CR>	NO
	Write	Single Alternative Eco	<CR>* lampm =singleeco#<CR>	NO
	Read	Lamp Mode Status	<CR>*lampm=?#<CR>	YES
	Miscellaneous	Read	Model Name	<CR>*modelname=?#<CR>
Write		Blank On	<CR>*blank=on#<CR>	YES
Write		Blank Off	<CR>*blank=off#<CR>	YES
Read		Blank Status	<CR>*blank=?#<CR>	YES
Write		Freeze On	<CR>*freeze=on#<CR>	YES
Write		Freeze Off	<CR>*freeze=off#<CR>	YES
Read		Freeze Status	<CR>*freeze=?#<CR>	YES
Write		Menu On	<CR>*menu=on#<CR>	YES
Write		Menu Off	<CR>*menu=off#<CR>	YES
Read		Menu Status	<CR>*menu=?#<CR>	YES

Write	Up	<CR>*up#<CR>	YES
Write	Down	<CR>*down#<CR>	YES
Write	Right	<CR>*right#<CR>	YES
Write	Left	<CR>*left#<CR>	YES
Write	Enter	<CR>*enter#<CR>	YES
Write	3D Sync Off	<CR>*3d=off#<CR>	YES
Write	3D Auto	<CR>*3d=auto#<CR>	YES
Write	3D Sync Top Bottom	<CR>*3d=tb#<CR>	YES
Write	3D Sync Frame Sequential	<CR>*3d=fs#<CR>	YES
Write	3D Frame packing	<CR>*3d=fp#<CR>	NO
Write	3D Side by side	<CR>*3d=sbs#<CR>	YES
Write	3D inverter disable	<CR>*3d=da#<CR>	YES
Write	3D inverter	<CR>*3d=iv#<CR>	YES
Write	2D to 3D	<CR>*3d=2d3d#<CR>	NO
Write	3D nVIDIA	<CR>*3d=nvidia#<CR>	NO
Read	3D Sync Status	<CR>*3d=?#<CR>	YES
Write	Remote Set	<CR>*rrset=0#<CR>	NO
Read	Remote Set Status	<CR>*rrset=?#<CR>	NO
Write	Remote Receiver-front+rear	<CR>*rr=fr#<CR>	NO
Write	Remote Receiver-front	<CR>*rr=f#<CR>	NO
Write	Remote Receiver-rear	<CR>*rr=r#<CR>	NO
Write	Remote Receiver-top	<CR>*rr=t#<CR>	NO
Write	Remote Receiver-top+front	<CR>*rr=tf#<CR>	NO
Write	Remote Receiver-top+rear	<CR>*rr=tr#<CR>	NO
Read	Remote Receiver Status	<CR>*rr=?#<CR>	NO
Write	Instant On-on	<CR>*ins=on#<CR>	NO
Write	Instant On-off	<CR>*ins=off#<CR>	NO
Read	Instant On Status	<CR>*ins=?#<CR>	NO
Write	Lamp Saver Mode-on	<CR>*lpsaver=on#<CR>	NO
Write	Lamp Saver Mode-off	<CR>*lpsaver=off#<CR>	NO
Read	Lamp Saver Mode Status	<CR>*lpsaver=?#<CR>	NO
Write	Projection Log In Code on	<CR>*prjlogincode=on#<CR>	NO
Write	Projection Log In Code off	<CR>*prjlogincode=off#<CR>	NO
Read	Projection Log In Code Status	<CR>*prjlogincode=?#<CR>	NO
Write	Broadcasting on	<CR>*broadcasting=on#<CR>	NO
Write	Broadcasting off	<CR>*broadcasting=off#<CR>	NO
Read	Broadcasting Status	<CR>*broadcasting=?<CR>	NO

	Write	AMX Device Discovery-on	<CR>*amxdd=on#<CR>	NO
	Write	AMX Device Discovery-off	<CR>*amxdd=off#<CR>	NO
	Read	AMX Device Discovery Status	<CR>*amxdd=?#<CR>	NO
	Read	Mac Address	<CR>*macaddr=?#<CR>	NO
	Write	Trigger on	<CR>*trigger=on#<CR>	YES
	Write	Trigger off	<CR>*trigger=off#<CR>	YES
	Read	Trigger status	<CR>*trigger=?#<CR>	YES
	Write	High Altitude mode on	<CR>*Highaltitude=on#<CR>	YES
	Write	High Altitude mode off	<CR>*Highaltitude=off#<CR>	YES
	Read	High Altitude mode status	<CR>*Highaltitude=?#<CR>	YES
	Read	Error Code	<CR>*error=report#<CR>	YES
	Write	Serial Number code I	<CR>V99N1234<CR>	NO
	Read	Serial Number Query	<CR>V99N0000<CR>	NO
	Write	Lens Shift Up	<CR>*lst=up#<CR>	YES
	Write	Lens Shift Down	<CR>*lst=down#<CR>	YES
	Write	Lens Shift Left	<CR>*lst=left#<CR>	YES
	Write	Lens Shift Right	<CR>*lst=right#<CR>	YES
	Write	Focus Plus	<CR>*focus=+#<CR>	YES
	Write	Focus Minus	<CR>*focus=-#<CR>	YES
	Write	Zoom Plus	<CR>*zoom=+#<CR>	YES
	Write	Zoom Minus	<CR>*zoom=-#<CR>	YES
	Write	Keystone-Vertical Decrease	<CR>*keyst=-#<CR>	YES
	Write	Keystone-Vertical Increase	<CR>*keyst=+#<CR>	YES
	Read	Keystone-Vertical Status	<CR>*keyst=?#<CR>	YES
	Write	AutoSync	NA	NO
	Read	Get Filter Timer	NA	NO
	Write	System Reset	NA	NO
	Read	Get F/W Version	NA	NO
	Read	Get Tint	NA	NO
	Write	Set Tint	NA	NO
	Read	Get Keystone value	NA	NO
	Write	Set Keystone value	NA	NO
	Read	Get Messaging	NA	NO
	Write	Set Messaging	NA	NO

BenQ.com

© 2018 BenQ Corporation

All rights reserved. Rights of modification reserved.

Version: 1.01-S